

UW-24/O



FEATURES

Panel ready for your custom cabinetry

Two independent temperature zones hold reds and whites at proper serving temperature

Dual evaporators for constant, moderate humidity so corks don't dry out

Textured roller-glide shelves for access without agitating wine

UV-resistant glass door protects against premature wine aging

Intuitive control panel keeps temps within one degree of set point

Brighter LED lighting makes finding bottles easy

Inventory tile system for better organization

Star-K compliant

Rigorously tested in our U.S. manufacturing facilities to ensure decades of use

Exceptional 24/7 support from Madison, WI-based Customer Care team

ACCESSORIES

Dessert Wine Rack

Dual Installation Kit

Lock Kit

Undercounter Black Dual Kickplate

Undercounter Door Lock Kit

Undercounter Silver Dual Kickplate

Undercounter Silver Kickplate

Undercounter Solid Overlay Door

Wine inventory tiles

Wine inventory tiles-writable

Stainless steel pro handles

Stainless steel tubular handles

Accessories are available through an authorized Sub-Zero dealer. For local dealer information, visit subzero-wolf.com/locator.



HANDLE ACCESSORIES

PRO



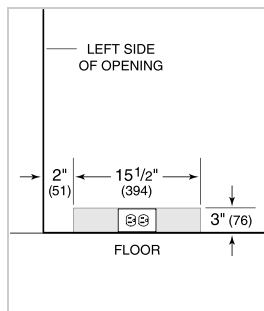
TUBULAR



PRODUCT SPECIFICATIONS

Model	UW-24/O
Dimensions	23 7/8"W x 34"H x 24"D
Door Clearance	25 3/8"
Weight	195 lbs
Electrical Supply	115 VAC, 60 Hz
Electrical Service	15 amp dedicated circuit
Wine Storage Capacity	46 Bottles
Receptacle	3-prong grounding-type

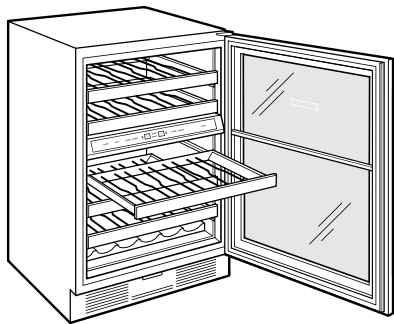
ELECTRICAL



NOTE:

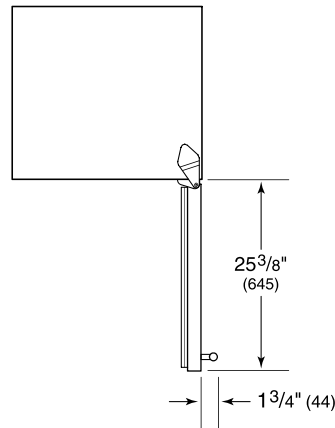
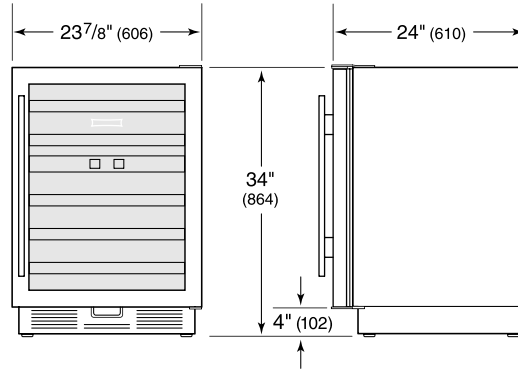
Dimensions in parenthesis are in millimeters unless otherwise specified

INTERIOR VIEW

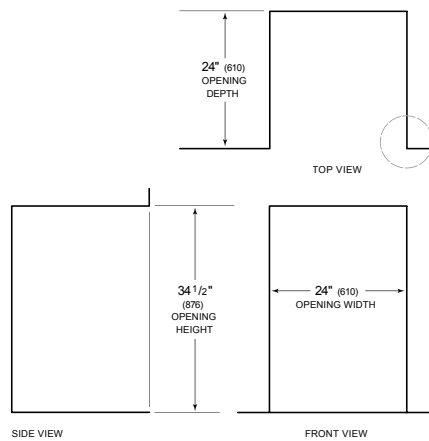


This illustration is intended for interior reference only and may not represent the exterior of the model being specified.

DIMENSIONS



STANDARD INSTALLATION



NOTE: 3 1/2" (89) finished returns will be visible and should be finished to match cabin

